

Differential Pressure Balancing Valve (DN15-DN50)

Application:

The Series SDP Differential Pressure Balancing Valve is designed to keep constant differential pressure across the supply pipes and return pipes, control valve or terminal unit in air-conditioning or heating system. It avoids hydronic disturbances resulting from variations in system differential pressure.

Features:

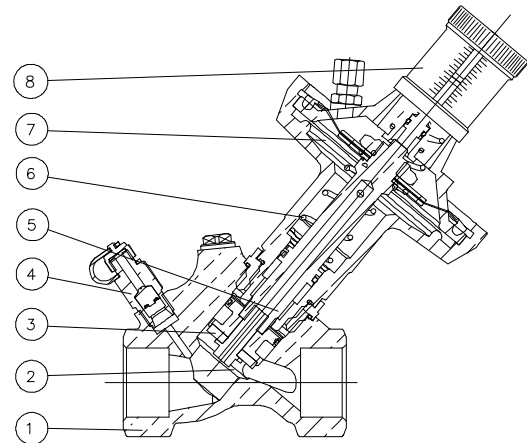
- Self-acting differential pressure control, no external power needed
- On-site setting of differential pressure
- Wide controllable range of differential pressure
- Wide controllable range of differential pressure
- Self-sealing measuring points to protect against leakage
- Equipped with measuring points and air vent
- Equipped with three-way measuring connector

Operating Principles:

When the network's differential pressure increases, the Differential Pressure Balancing Valve will diminish its opening automatically. This counteracts the increased value, ensuring constant differential pressure.

Technical specification:

- Dimensions: DN15-DN50
 Working Temperature: -10~120°C
 Working pressure: Pn16
 Fluid Medium: Cold and Hot Water / Ethylene Glycol
 Connection: Flange Connection
 Connection Standard: EN10226 GB/T7306.1-2008
 Control Deviation: ± 8%
 Working Pressure: ≤ 300KPa
 Material: ① Body: Ductile Iron
 ② Seat: Brass
 ③ Core: Brass
 ④ Test plug: Brass
 ⑤ Shaft: Brass
 ⑥ Spring: Stainless steel
 ⑦ diaphragm: EPDM
 ⑧ Handwheel: Plastic ABS



Technical Parameter:

Product type:

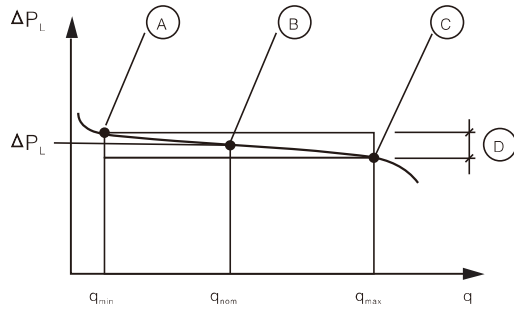
Type	DN	ΔP Control (KPa)	Kvs
SDP015-0SP01S	DN15	5-30	2.5
SDP020-0SP01S	DN20		5.0
SDP025-0SP01S	DN25		7.5
SDP032-0SP01S	DN32		10.0
SDP040-0SP01S	DN40		15.0
SDP050-0SP01S	DN50		34.0
SDP015-0SP01L	DN15	25-70	2.5
SDP020-0SP01L	DN20		5.0
SDP025-0SP01L	DN25		7.5
SDP032-0SP01L	DN32		10.0
SDP040-0SP01L	DN40		15.0
SDP050-0SP01L	DN50		34.0

型号说明:

S	SUNFLU	S	DP	015-	0S	P01	S
DP	Differential Pressure Balancing						
DN							
015-DN15	020-DN20						
025-DN25	032-DN32						
040-DN40	050-DN50						
0S	Two-Way Threaded						
PN							
P01	PN16						
ΔP Range							
S: Small Range							
L: Large Range							

Differential Pressure Balancing Valve (DN15–DN50)

Working Range:

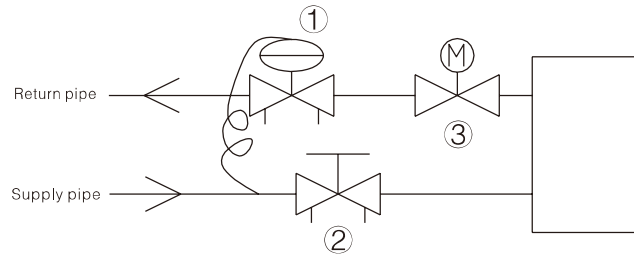


- A. Kv_{min}
- B. Kv_{nom}
- C. Kv_{max}
- D. Range $\Delta P_L \pm 25\%$

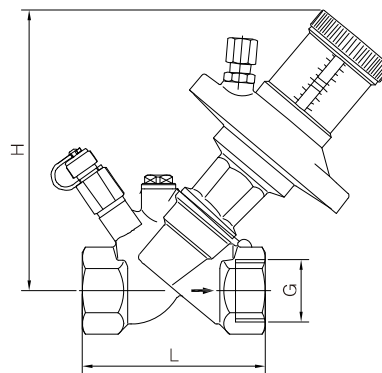
Installation:

The Differential Pressure Balancing Valve can work with a Static Balancing Valve or work alone. The static balancing valve with flowing arrow point in the direction of the flow. You must wash the pipes after installation and put it installed on the front of strainer. Capillary type pipes should be connected to the water supply piping or above level, but not in below the pipe, to prevent dust particle. You must install the capillary type signal tube and connect with rotating block valve before test. Otherwise, the pressure differential regulator will be damaged by the pressure. When combined with a Static Balancing Valve, it should be installed on the return pipe, while the Static Balancing Valve should be installed on the supply pipe.

- ① Differential Pressure Balancing Valve
- ② Static Balancing Valve



Dimension:



DN	L(mm)	H(mm)	G	Kvs
DN15	80	158	G1/2	2.5
DN20	84	160	G3/4	5.0
DN25	97.5	163	G1	7.5
DN32	110	172	G1-1/4	10.0
DN40	120	178	G1-1/2	15.0
DN50	150	210	G2	34.0